

- Interconnector for connecting cables with FSMA standard connectors
- Designed for low-loss multimode glass-fibers optics

1. Product Introduction

The FSMA Cable Interconnector is a matched adapter for the interconnection of two fiber optic cables with 2mm fiber diameter terminated with FSMA standard connectors. It is well designed for the use in connection with AFT low-loss fibre optic cables. A typical application is the series connection of a low-loss multimode glass-fiber optic cable (MMFOC) and a radiation-resistant but higher-loss plastic fibre optic cable (PFOC). By using the interconnector two fiber bundles are joined face to face. Optionally, small gaps between the faces can be filled with a refraction index matching gel, available on request.

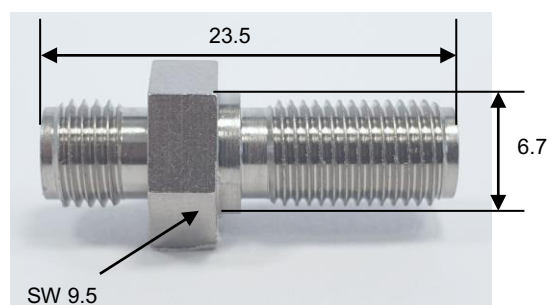
2. Product Specifications

Parameter	Description
Connection Thread	1/4"-36 UNS-2A, male threaded, both sides
Clearance hole	3.2mm
Length	23.5mm
Mating Connector	Mating connector with ferrule for 2mm fiber,
Temperature Range	-40°C to +85°C

Ordering Code

P/N	Description	Quantity included
FSMACI02	FSMA Cable Interconnector	1 piece

Dimensions [mm]





Data Sheet FSMACI02
FSMA Cable Interconnector

Author Schwarzhorn
Revision 01
Release 22.06.2021
Page 2 of 2

Rev.	Remark	Date	Name
00	Initial	12.02.2019	J. Schwarzhorn
01	Drawings changed	22.06.2021	J. Schwarzhorn