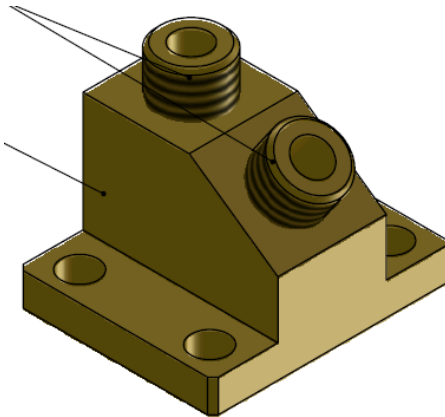


Arc Viewport with Test Port FSMA



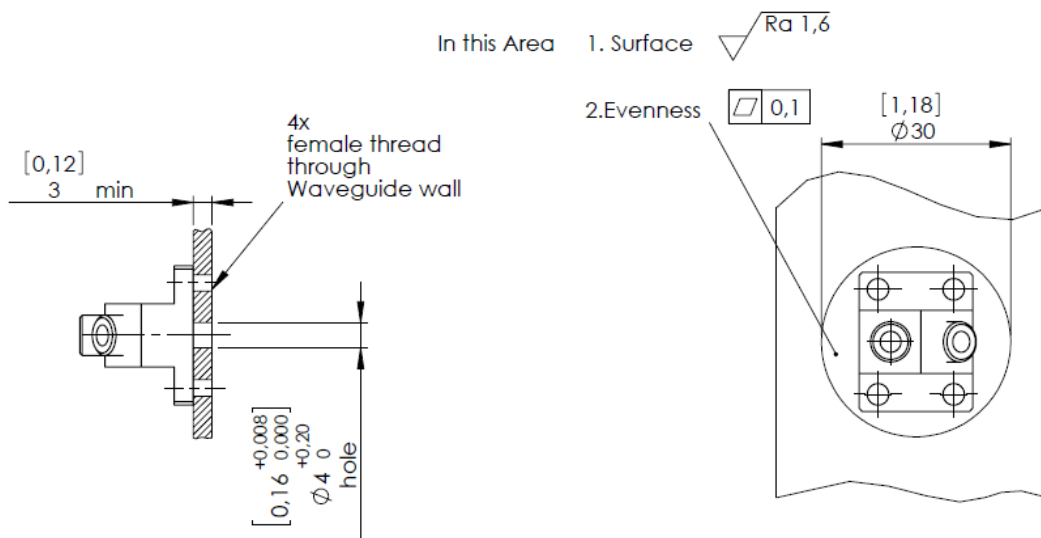
- Optical arc viewport with optical test port in a compact arrangement
- Allows optical testing of optical fiber loop to viewport
- 2x FSMA interface for fiber optic cable
- Easy mounting to a waveguide wall, using the provided mounting flange

Parameter	Description
Footprint Drawing No.	FP-10075377 (formerly ENG-002661)
Product Type	Arc Viewport
Configuration	Flanged with test port
Fiber Optical Connection Thread	2x FSMA ¼-36 UNS-2A, male thread
Mounting Thread	4 hole flange mounting, see assembly instructions below
Body Material	Brass
Temperature Range	-20°C to +80°C

Ordering Code

P/N	Description	Quantity included
AVPT-01	Arc Viewport with Test Port FSMA	1 piece

Assembly Instructions



Rev.	Remark	Date	Name
00	Initial	25.10.2017	C. Weil
01	Footprint drawing no.	10.12.2020	C. Weil