

- Optical arc viewport (straight) with optical test port (angular)
- 2x FSMA interface for fiber optic cable
- Allows optical testing of optical fiber loop to viewport
- Installation to a CF16 window flange with interface flange and 6x M4.

Parameter	Description
Footprint Drawing No.	FP-10074964
Product Type	Arc Viewport
Configuration	Viewport with optical test port.
Set up	Two piece assembly consisting of (1) an arc viewport section with 2x FSMA and (2) a CF16-type interface flange with 4x M2 thread, (1) is mounted to (2) using 4x M2, light sealed by black o-ring.
Fiber Optical Connection	2x FSMA, 1/4-36 UNS-2A, male thread
Mounting Thread	6x through hole Ø4.4, cut outs for ISO 4762 screw heads
Body Material	Brass an stainless steel
Temperature Range	-20°C to +80°C
Dimensions	See footprint drawing

Note:

The assembly itself is not vacuum-sealed, but designed for an installation to a CF16 window flange.

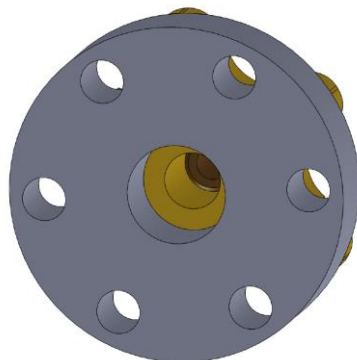


Fig. 1: CF16 interface of arc viewport (backside view)

Rev.	Remark	Date	Name
00	Initial	26.03.2018	C. Weil
01	Footprint drawing no., pictures & Fig. 1 updated	22.03.2019	C. Weil
	Formal update	07.03.2022	C. Weil