

Seal Type: Two piece gasket consisting of

- rubber seal ring
- silver-plated metal frame
RoHS-compliant

Dimensions:

rubber seal ring	thickness:	3.94 [mm]
	inside dimensions:	76.2 x 38.1 [mm]
metal seal frame:	thickness:	3.6 [mm]
	inside dimensions:	76.2 x 38.1 [mm]
	outside dimensions:	81.0 x 42.9 [mm]

Waveguide: WR284

Flanges: CPR284 10 holes grooved or
WR284 8 holes grooved,
for specification of groove design see Fig. 2

Temperature Range: -30°C to +120°C

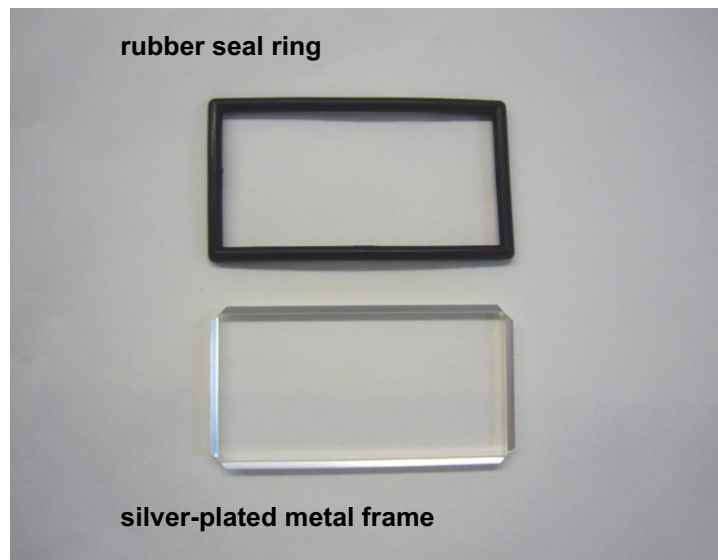


Fig.1: Photograph of the two piece metallic gasket for WR284 waveguide flanges

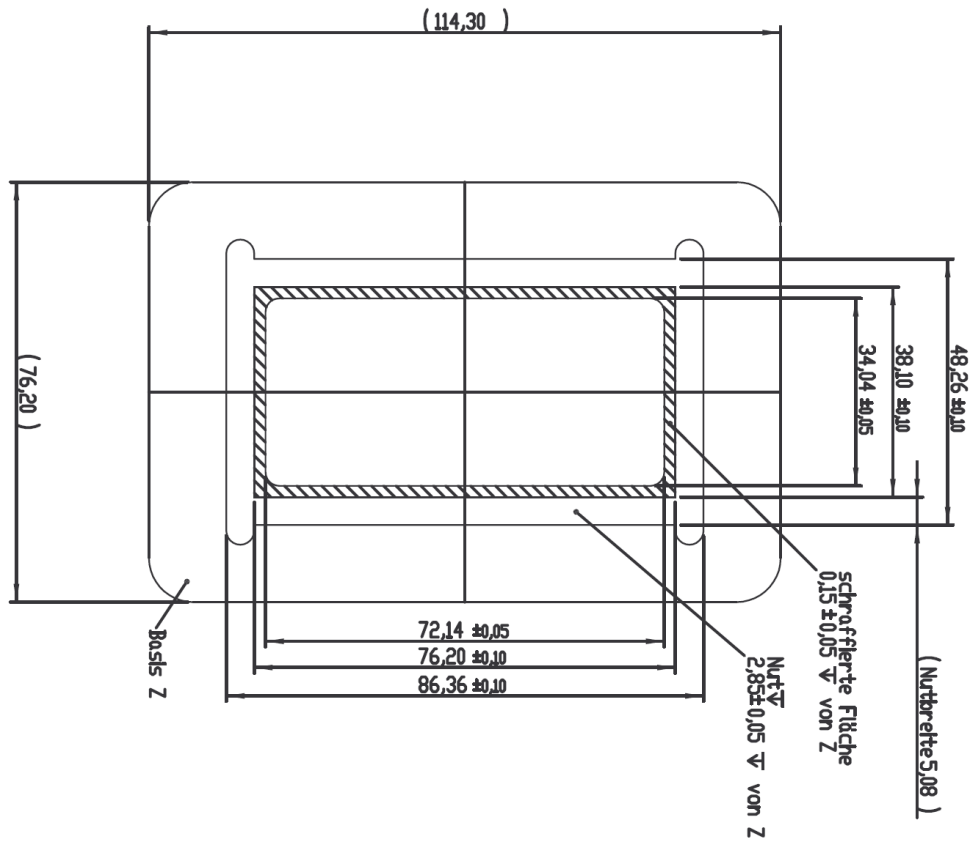


Fig.2: Specification for the sealing groove in the waveguide flange, all dimensions in mm

Rev.	Remark	Date	Name
1	initial	29.06.2009	C. Weil
2		21.06.2010	C. Weil
3	Temperature range, form	23.01.2014	C. Weil
4	Dimensions	11.02.2014	C. Weil
5	RoHS compliance	16.01.2015	C. Weil
6	naming	02.10.2015	C. Weil