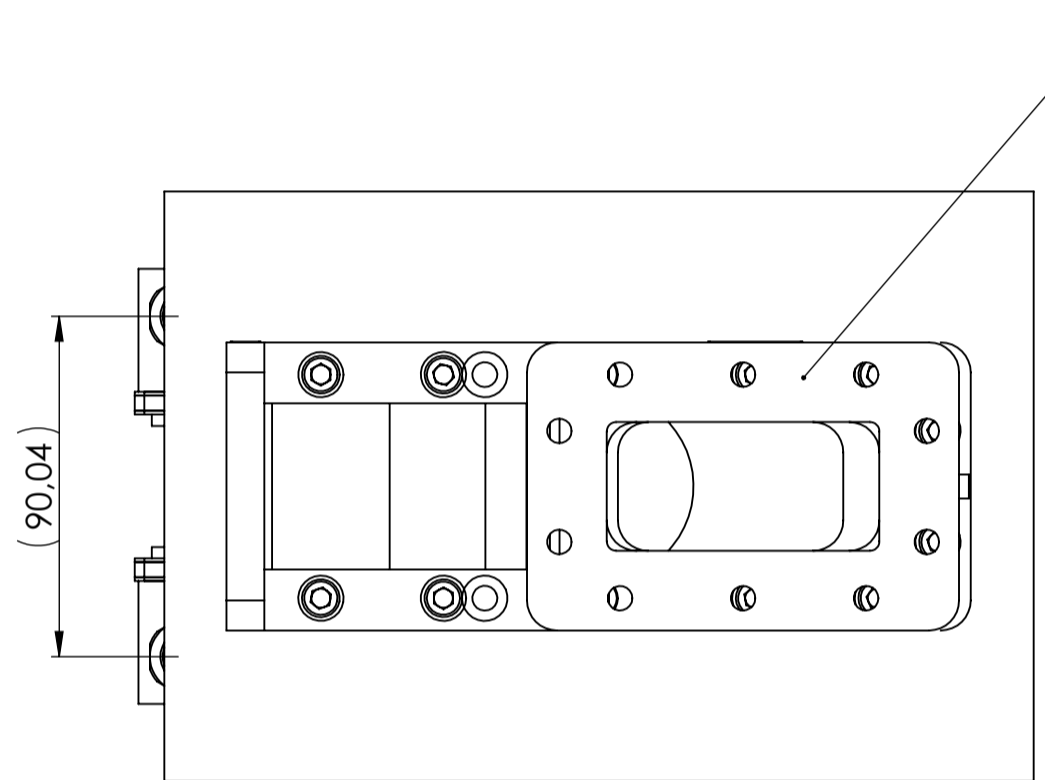
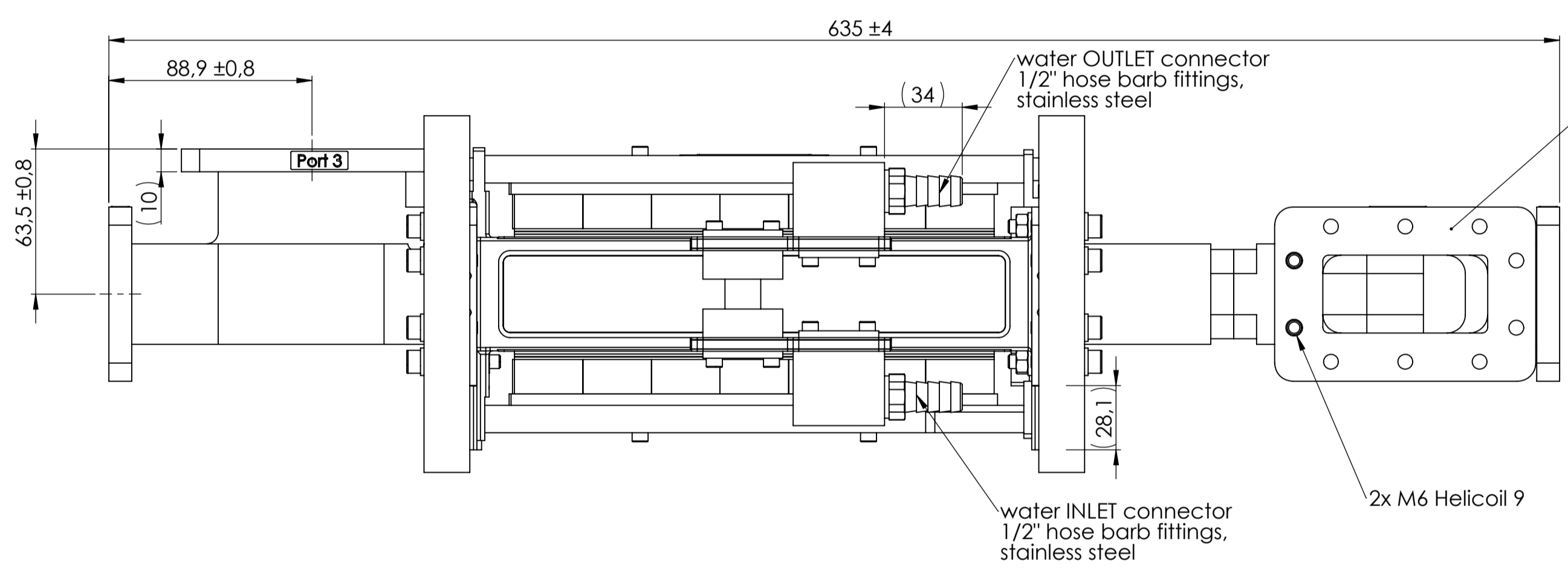
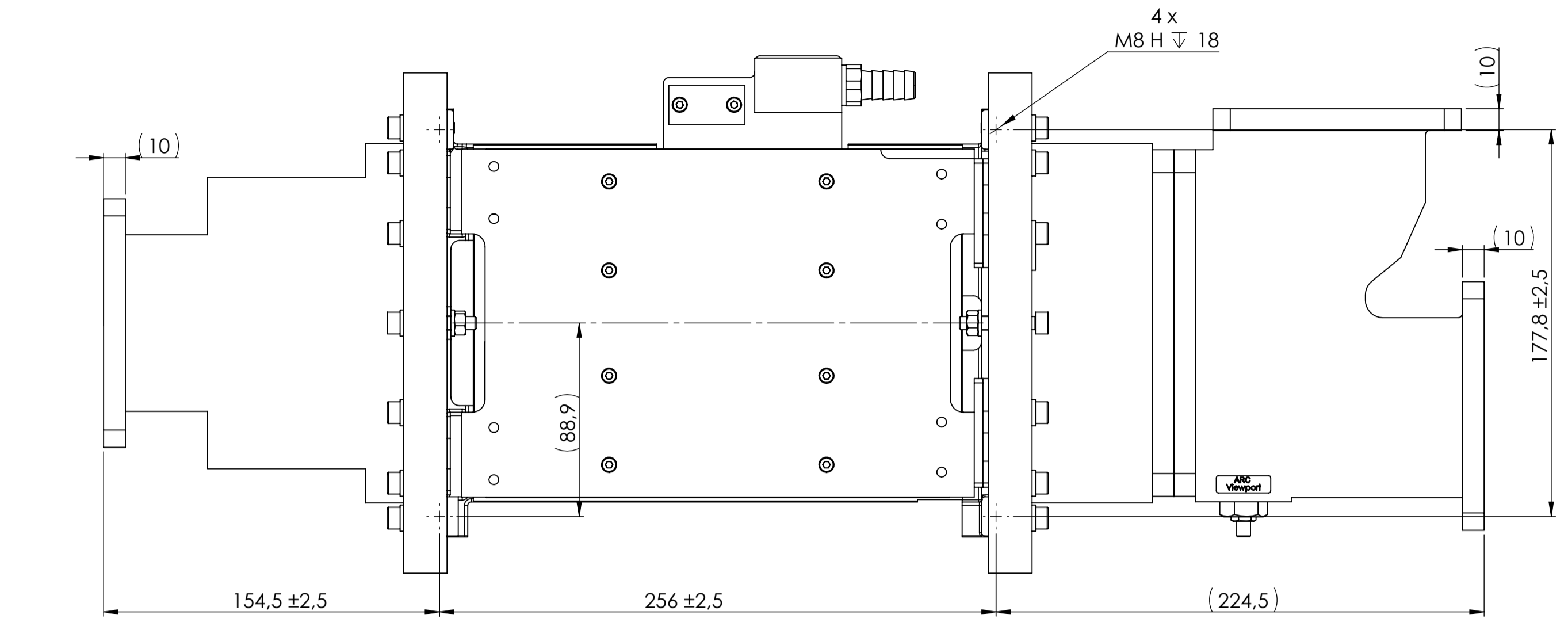


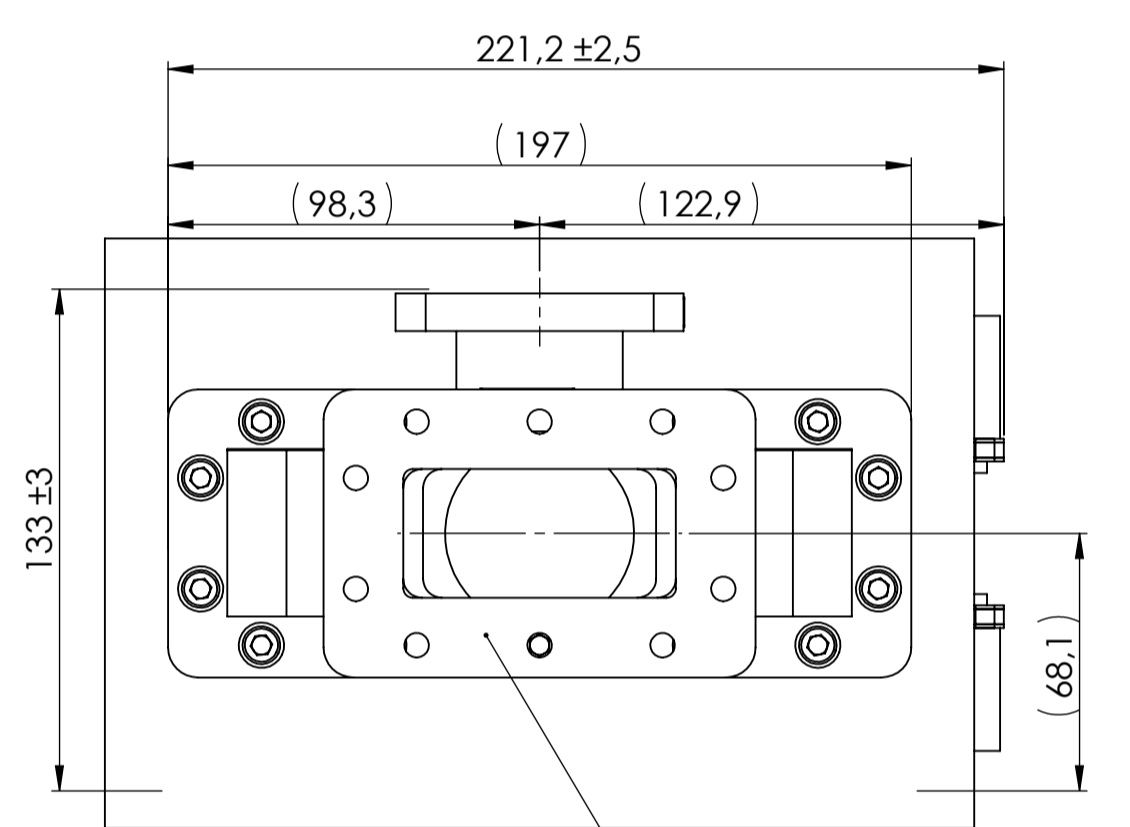
3. Autorisierter Ansprechpartner: AMWoch, 17. August 2022 09:37:24  
 4. Hersteller: AMWoch, 17. August 2022 09:37:24  
 5. Offizieller Ansprechpartner: AMWoch, 17. August 2022 09:37:24  
 6. Copying this document and giving it to others and the use or communication of the contents here of are forbidden without express authority.



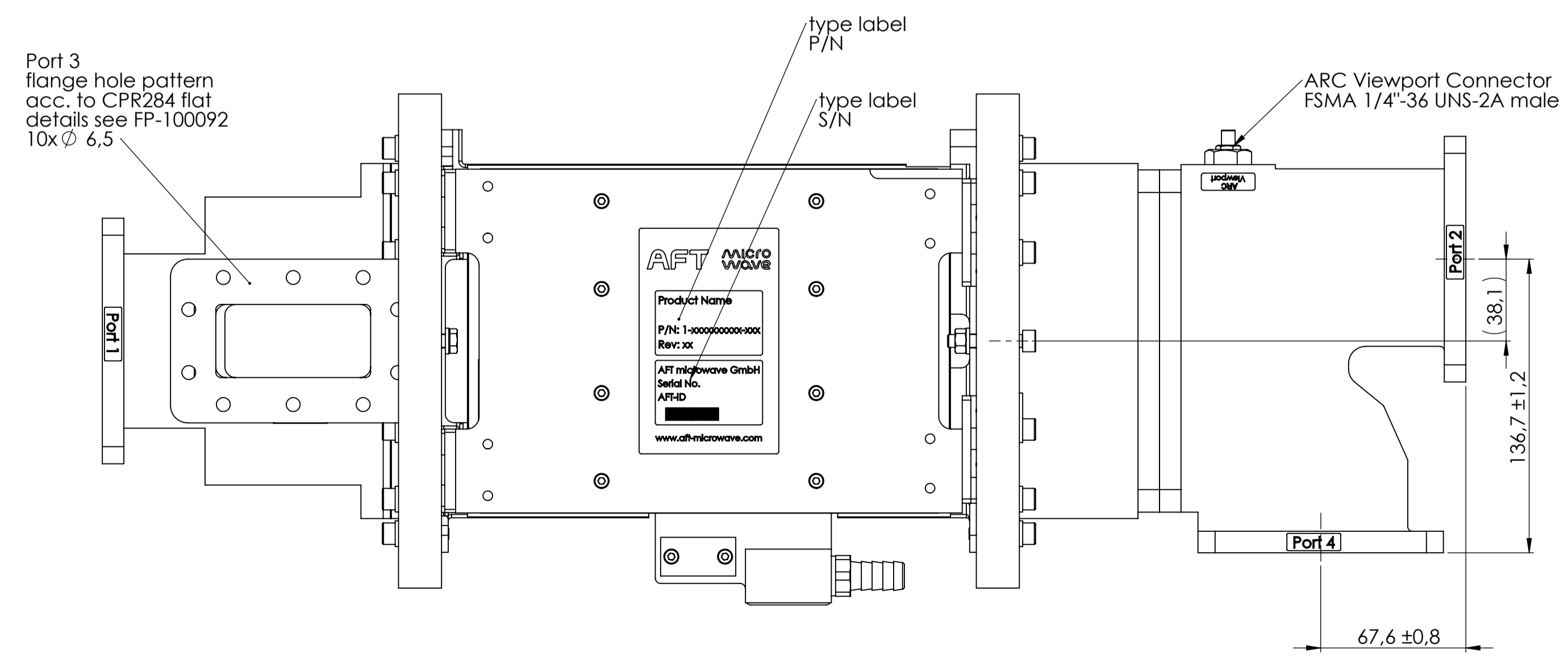
Port 2 flange hole pattern acc. to CPR284 flat details see FP-100092 10x Ø 6,5



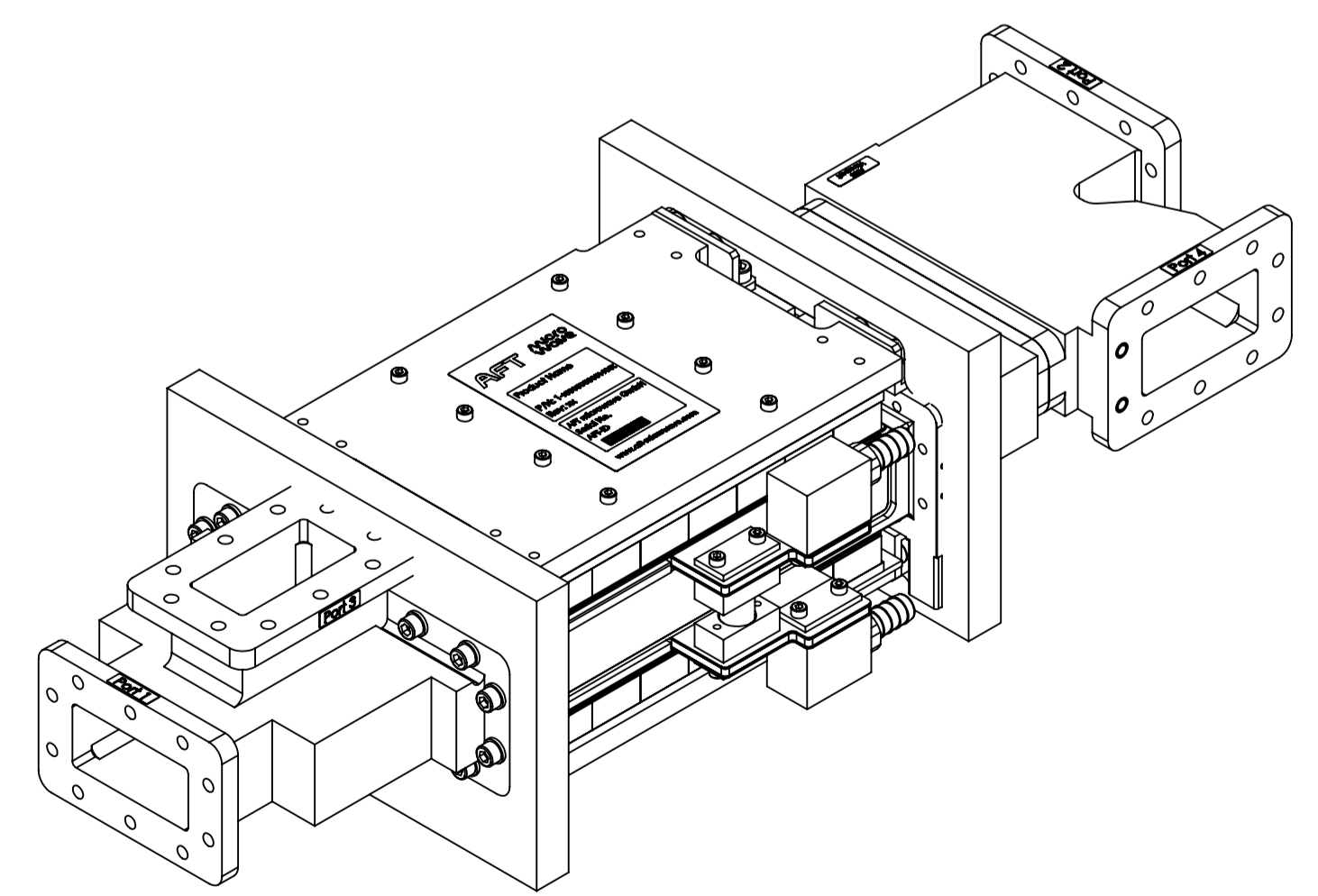
Port 4 flange hole pattern acc. to CPR284 flat details see FP-100092 10x Ø 6,5



Port 1 flange hole pattern acc. to CPR284 flat details see FP-100092 10x Ø 6,5



Port 3 flange hole pattern acc. to CPR284 flat details see FP-100092 10x Ø 6,5



Tolerances: DIN ISO 9013		First angle projection		Finish		Weight: 33.322g	
General: DIN EN ISO 2768-ct		Surface: DIN EN ISO 13715		Material: 304L		Drawing number: 33.322	
Date: 02.07.2015		Name: GundW		Part no.: 3-004267		Sheet: 1 of 1	
Scale: M 1:5		Paper size: A1		Drawing number: 3-004267-FP		Rev: A.0	
A: formal updatet		14.08.22		ELO		AFT Micro wave	
Rev	Modification	Date	Name	Part no.	Sheet	Scale	Paper size