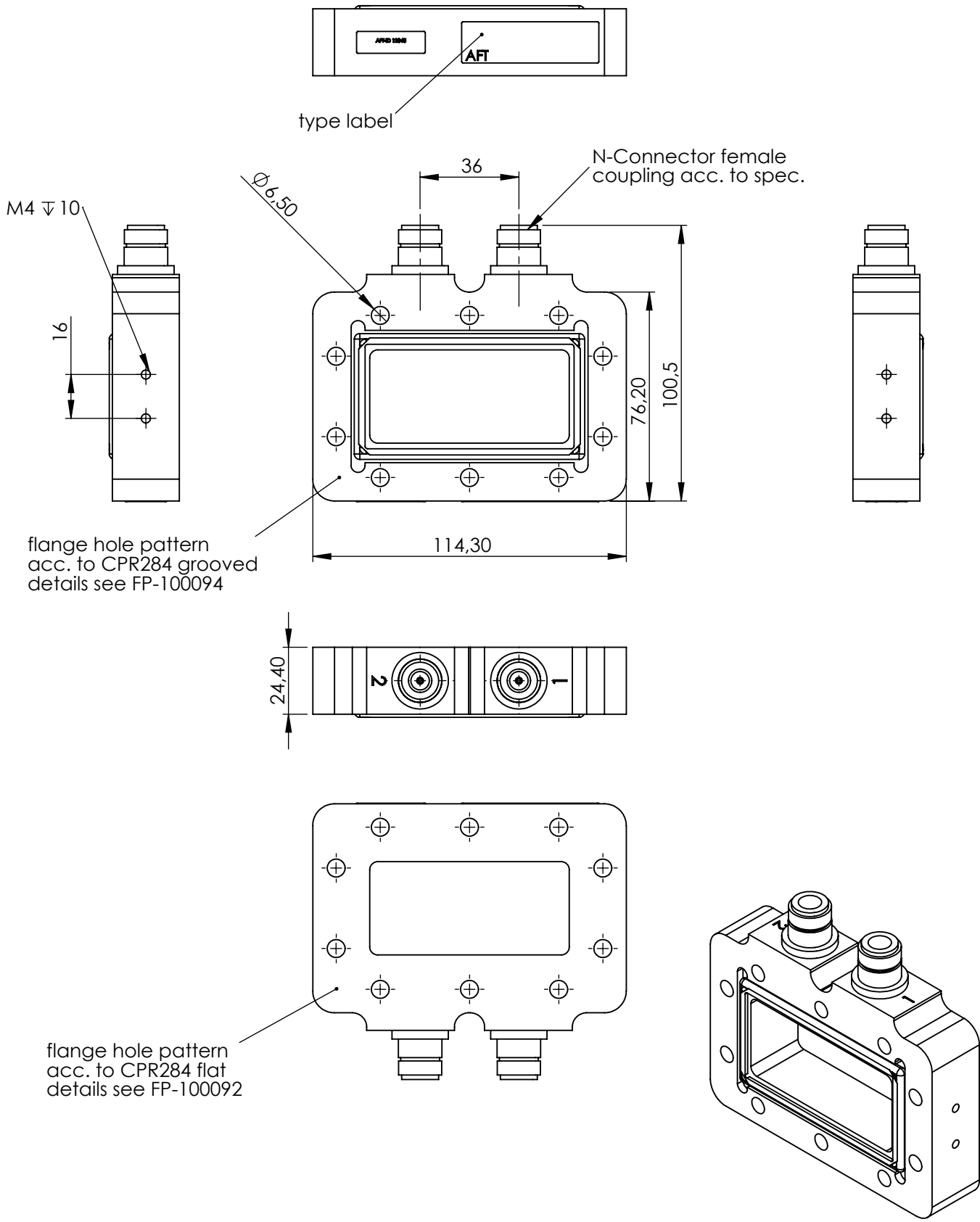


Urheberrechtlich geschützt am: Montag, 13. November 2023 09:28:38
 Offenders are liable of the payment of damages. All rights are reserved in the event of the grant of a patent or the registration of a utility model or design.
 Copiers are liable of the payment of damages. All rights are reserved in the event of the grant of a patent or the registration of a utility model or design.
 Copying this document and giving it to others and the use or communication of the contents thereof, are forbidden without express authority.

Zuletzt gespeichert am: Montag, 13. November 2023 09:28:38
 Zuletzt gespeichert von: ELOmari
 Zeichnungs-Druckstatus: 00003 - Freigegeben



				Tolerance DIN ISO 8015 Generally tolerance ISO 2768 - cL Edges of undefiend shape ISO 13715 Surface DIN EN ISO 1302		First angle projection 		Finish		Weight [kg +/-10%] 0.515		
				Date	Name	Description Flange E-Probe -60dB CPR284F/G						
				Drawn	15.11.2010							Heisen
				Checked								
C	Formal updated	13.11.23	ELO	AFT Micro wave		Drawing number		Rev				
B	Formal update	16.01.23	BRO			FP-10072579		C.0				
A	Formal update	16.01.23	BRO			Part no. 3-003811		Sheet 1 of 1	Scale M 1:2	Paper size A4		
Rev	Modification	Date	Name									