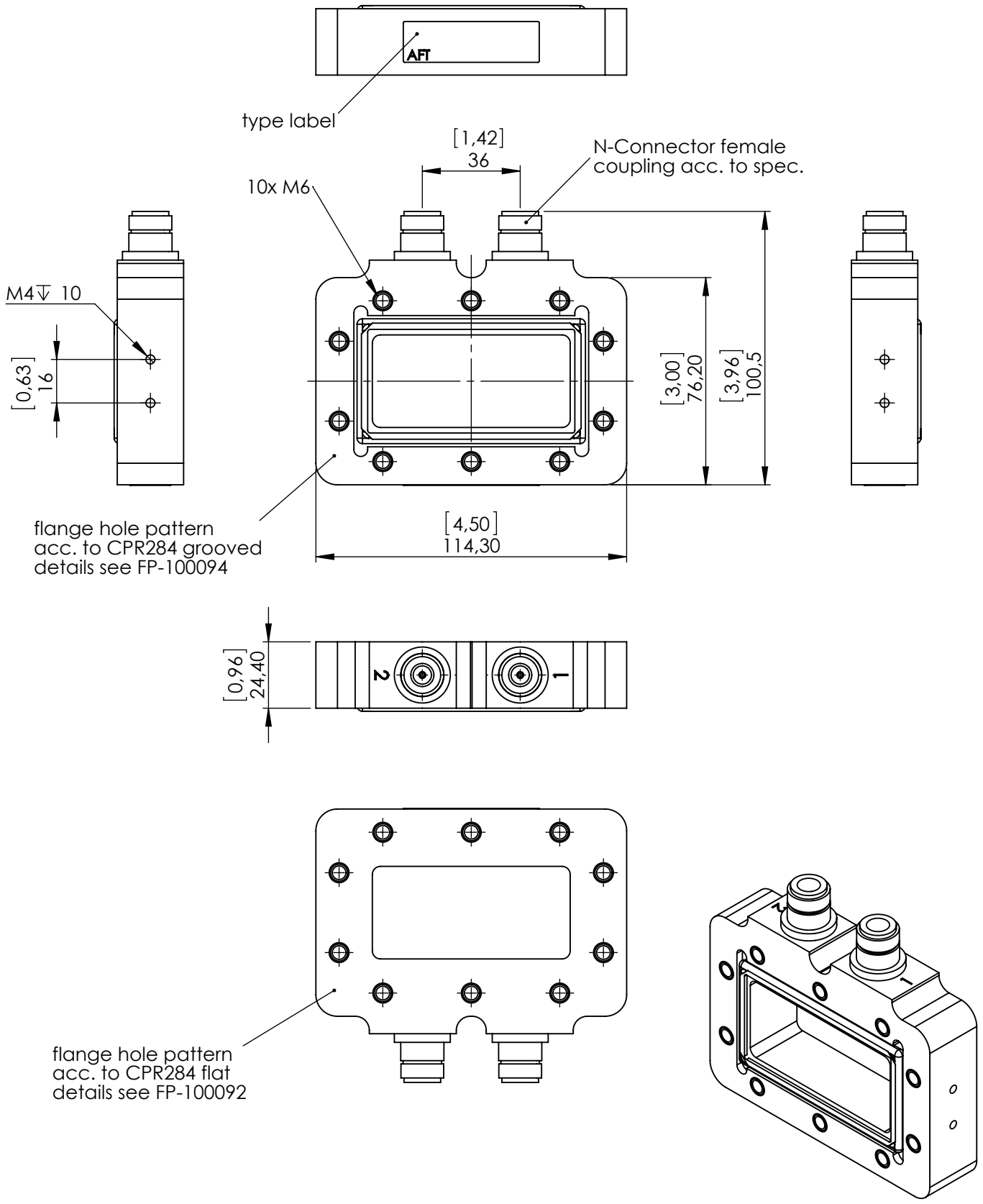


Urheberrechtlich geschützt am: Montag, 8. Februar 2016 11:24:30
 Offenders are liable of the payment of damages. All rights are reserved in the event of the grant of a patent or the registration of a utility model or design.
 Copiers are liable of the payment of damages. All rights are reserved in the event of the grant of a patent or the registration of a utility model or design.
 Copying this document and giving it to others and the use or communication of the contents thereof, are forbidden without express authority.

Zuletzt gespeichert am: Montag, 8. Februar 2016 11:24:30
 Zuletzt gespeichert von: plmadmin
 Zeichnungs-Druckstatus: 00003 - Freigegeben



		Tolerance DIN ISO 8015 Generally tolerance ISO 2768 - vL Edges of undeniend shape ISO 13715 Surface DIN EN ISO 1302		First angle projection 	Finish	Weight 0,5kg ± 10%					
		Date	Name	Description							
		Drawn	17.03.2015	Flange E-Probe -60dB CPR284F/G							
		Checked	Heisen	Drawing number Rev							
				FP-10073084							
Rev	Modification			Date	Name	Part no.	3-004059	Sheet	1 of 1	Scale	M 1:2