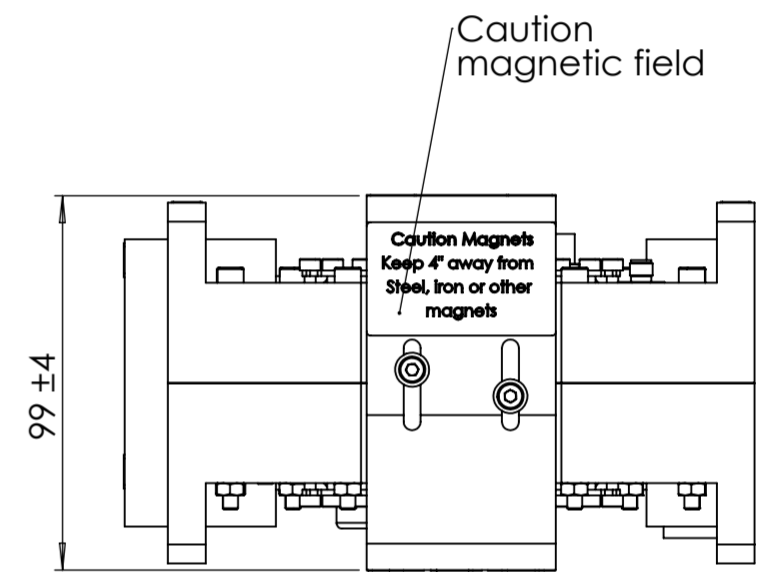
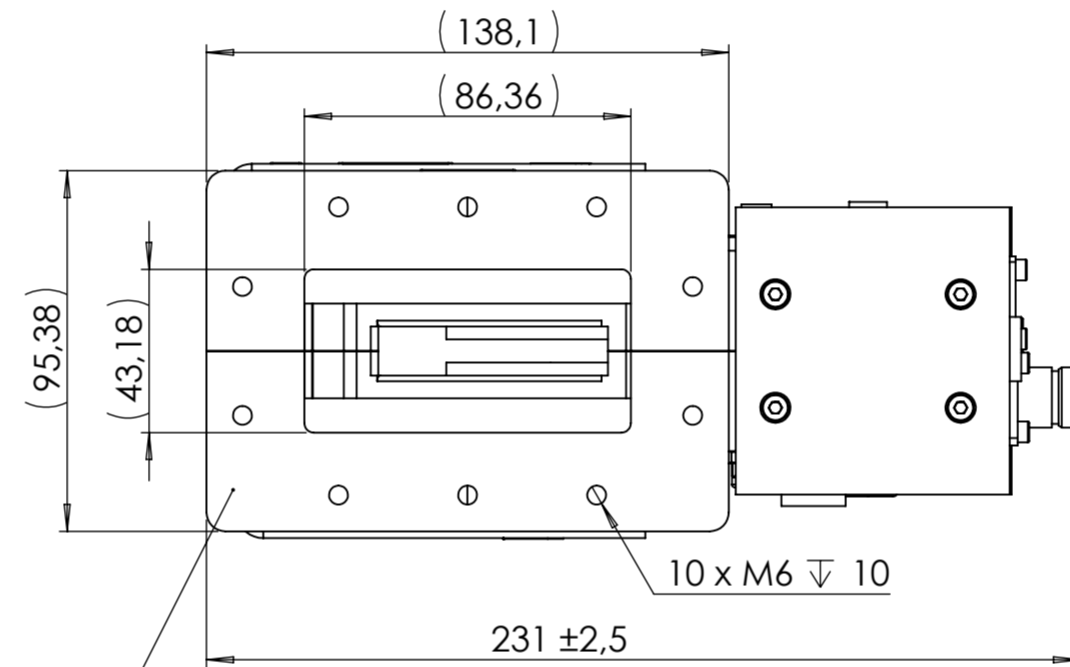
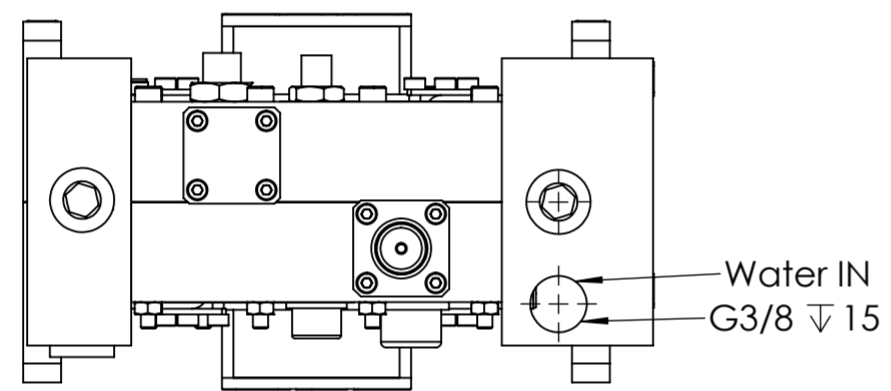
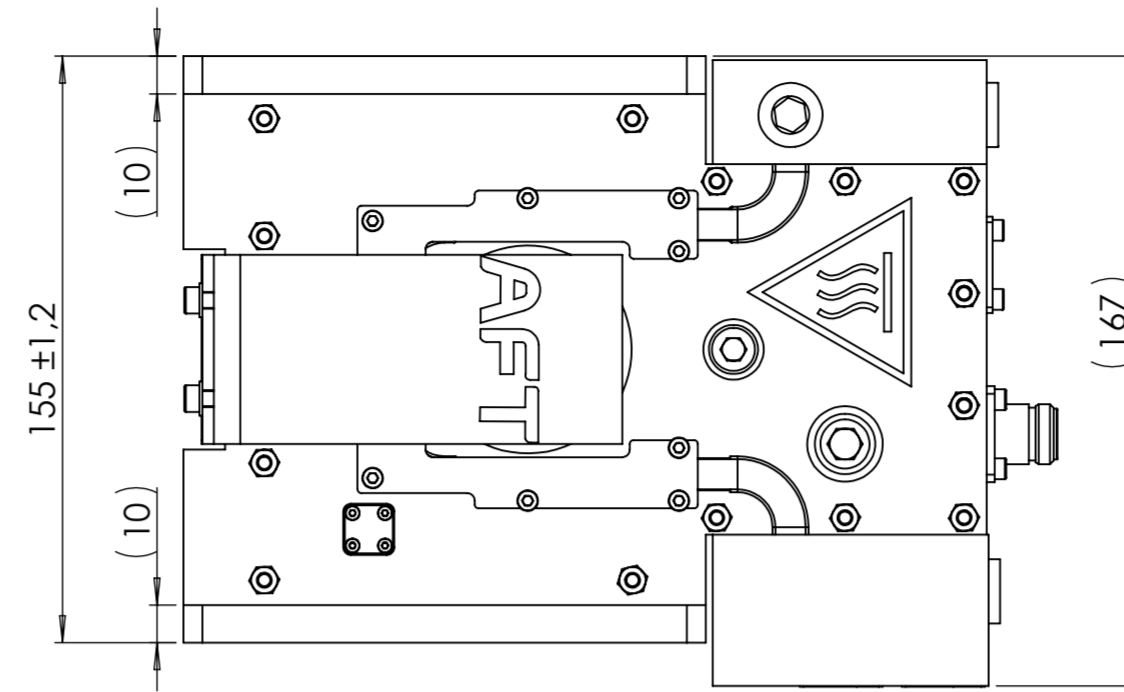
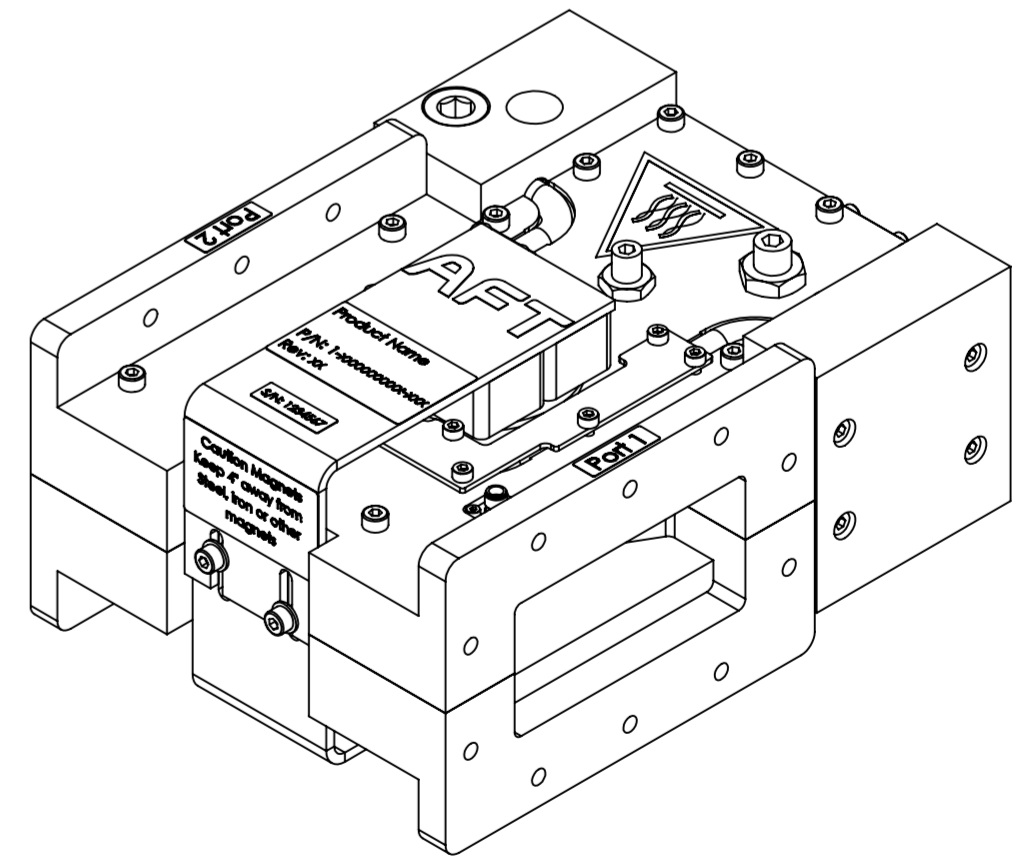
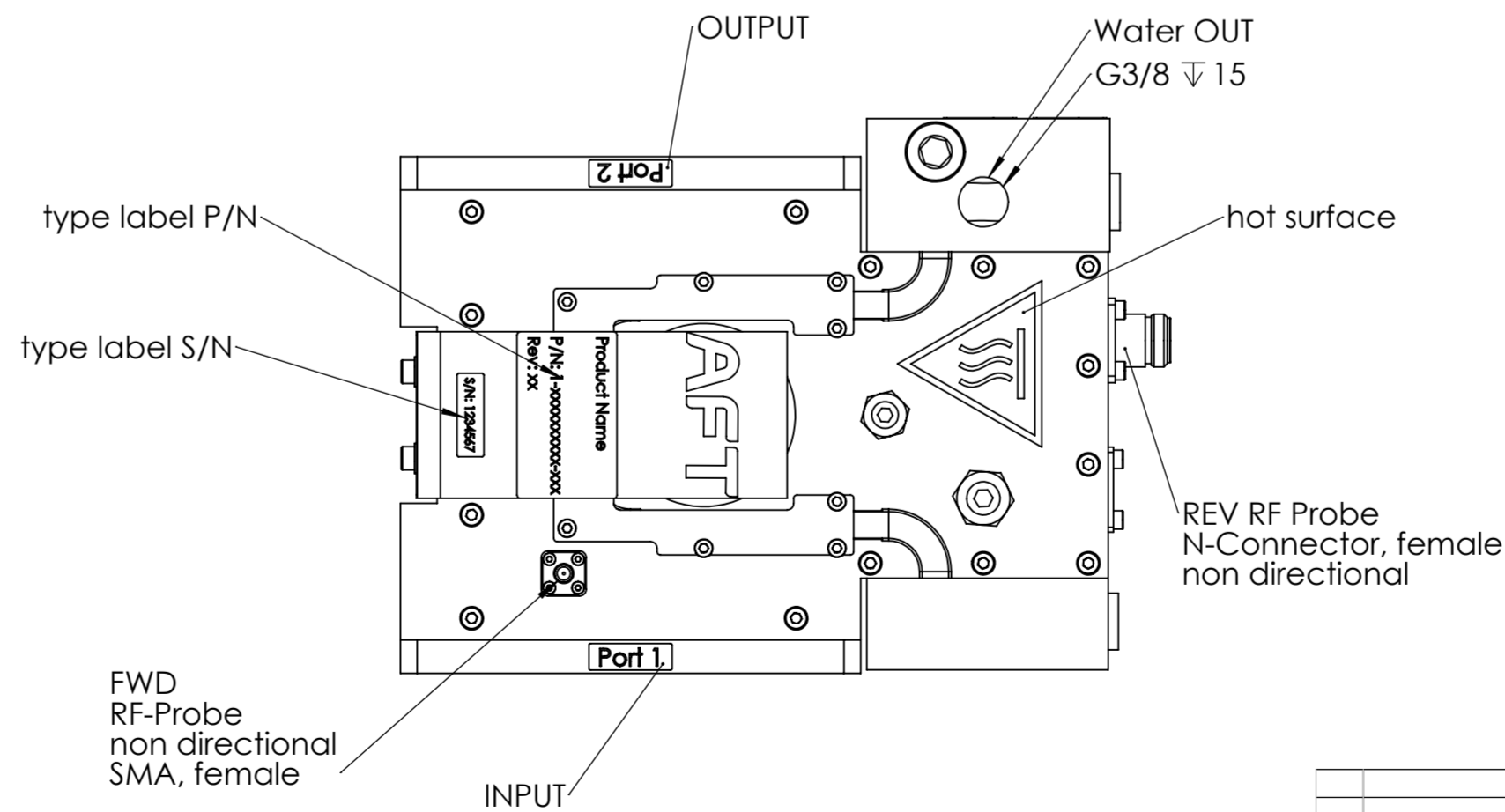
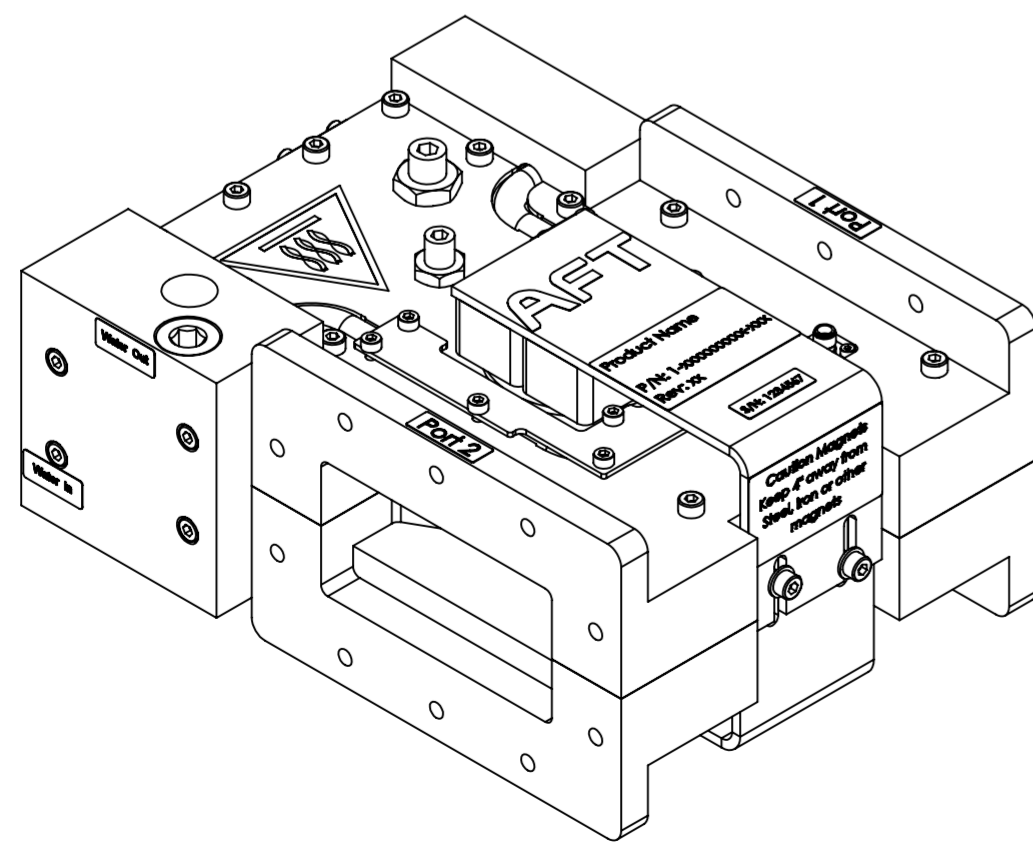


Urheberrechtlich geschützt. In der eventuellen Verletzung der Rechte an Erfindungen, Marken oder sonstigen Rechten wird keine Haftung übernommen.
 Offenders are liable of the payment of damages. All rights are reserved in the event of the grant of a patent or the registration of a utility model or design.
 Copying this document and giving it to others and the use or communication of the contents here of, are forbidden without express authority.

Zuletzt gespeichert am: Dienstag, 23. Januar 2024 09:34:29
 Zuletzt gespeichert von: broos
 Zeichnungs-Druckstatus: 0003 - Freigegeben



2x flange similar to CPR340F, hole pattern acc. to 2-124605-FP



Tolerance DIN ISO 8015 Generally tolerance ISO 2768 - cL Edges of undetermined shape ISO 13715 Surface DIN EN ISO 1302		First angle projection	Finish	Weight [kg +/-10%]
Date	Name	Description		6.682
Drawn	14.11.2023	Isolator 2450MHz 10kW CPR340		
Checked	17.11.2023			
AFT micro wave		Drawing number		Rev
		3-125943-FP		.0
Part no.	3-125943	Sheet	1 of 1	Scale
Rev	Modification	Date	Name	Scale M 1:5
				Paper size A2